

PCB Relay G5LE

A Cubic, Single-pole 10-A Power Relay

- Subminiature “sugar cube” relay.
- Contact ratings of 10 A.
- Withstands impulses of up to 4,500 V.
- Two types of seal available: flux protection and plastic-sealed.
- UL class-B insulation certified, UL class-F available.
- Manufacturing facility in compliance with QS9000 automotive quality system standards.
- Ideal for applications in security equipment, household electrical appliances, garage door openers, and audio equipment.
- RoHS Compliant.



Ordering Information

To Order: Select the part number and add the desired coil voltage rating (e.g., G5LE-DC12).

Seal	Contact form	Model	
		Contact Material	
		AgSnO ₂	AgSnIn
Flux protection	SPDT	G5LE-1	G5LE-1-ASI
	SPST-NO	G5LE-1A	G5LE-1A-ASI
Plastic-sealed	SPDT	G5LE-14	G5LE-14-ASI
	SPST-NO	G5LE-1A4	G5LE-1A4-ASI

Model Number Legend

G5LE-□ □ □-□-□
1 2 3 4 5

1. Number of Poles

1: 1 pole

2. Contact Form

None: SPDT

A: SPST-NO

3. Sealing

None: Flux-protection

4: Plastic-sealed

4. Contact Material

None: AgSnO₂

ASI: AgSnIn

5. Insulation Class

None: Class B insulation

CF: Class F insulation

Specifications

■ Coil Data

Rated voltage	3 VDC	5 VDC	6 VDC	9 VDC	12 VDC	24 VDC	48 VDC
Rated current	136.4 mA	79.4 mA	66.7 mA	45 mA	33.3 mA	16.7 mA	8.33 mA
Coil resistance	22.5Ω	63 Ω	90 Ω	200 Ω	360 Ω	1,440 Ω	5,760 Ω
Must operate voltage	75% of rated voltage (max.)						
Must release voltage	10% of rated voltage (min.)						
Max. voltage	133% of rated voltage at 70°C (158°F), 170% of rated voltage at 23°C (73°F)						
Power consumption	Approx. 400 mW						

- Note:**
1. The rated current and coil resistance are measured at a coil temperature of 23°C (73°F) with a tolerance of ±10%.
 2. 360 mW coil is available. Contact Omron for details.
 3. VDE approved model available. Contact Omron for details.

■ Contact Data

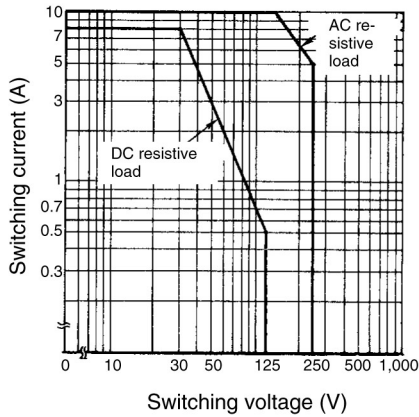
Load	Resistive load ($\cos\phi = 1$)	
Rated load	10 A at 120 VAC; 8 A at 30 VDC	
Rated carry current	10 A	
Max. switching voltage	250 VAC, 125 VDC	
Max. switching current	AC	10 A
	DC	8 A
Max. switching capacity	1,200 VA, 240 W	
Min. permissible load	100 mA at 5 VDC	

■ Characteristics

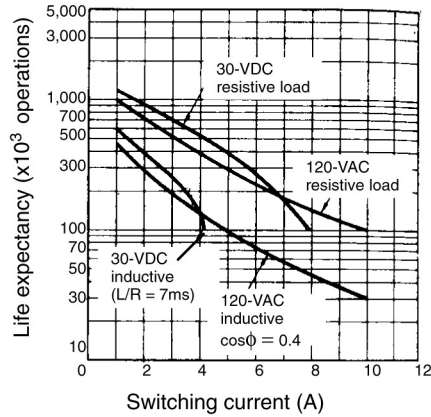
Contact resistance	100 mΩ max.	
Operate time	10 ms max.	
Release time	5 ms max.	
Bounce time	Operate	Approx. 0.6 ms
	Release	Approx. 7.2 ms
Max. switching frequency	Mechanical	18,000 operations/hr
	Electrical	1,800 operations/hr (under rated load)
Insulation resistance	100 MΩ min. (at 500 VDC)	
Dielectric strength	750 VAC, 50/60 Hz for 1 min between contacts of same polarity 2,000 VAC, 50/60 Hz for 1 min between coil and contacts	
Impulse withstand voltage	4,500 V between coil and contacts	
Vibration resistance	Destruction	10 to 55 Hz, 1.5-mm double amplitude
	Malfunction	10 to 55 Hz, 1.5-mm double amplitude
Shock resistance	Destruction	1,000 m/s ² (approx. 100G)
	Malfunction	100 m/s ² (approx. 10G)
Life expectancy	Mechanical	10,000,000 operations min. (at 1,800 operations/hr)
	Electrical	100,000 operations min. (at 1,800 operations/hr)
Ambient temperature	Operating	-40°C to 85°C (-13°F to 185°F)
Ambient humidity		35% to 85%
Weight	Approx. 12 g (0.42 oz)	

Characteristic Data

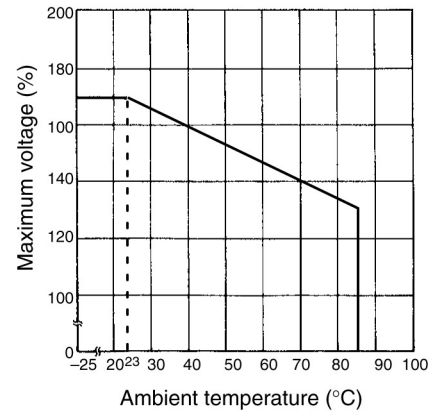
Max. Switching Capacity G5LE



Life Expectancy G5LE



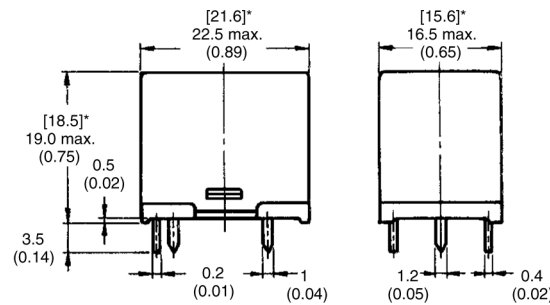
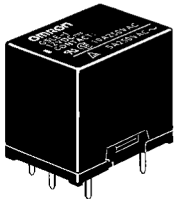
Ambient Temperature vs. Maximum Voltage



Dimensions

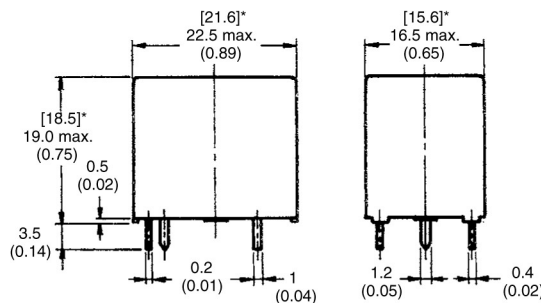
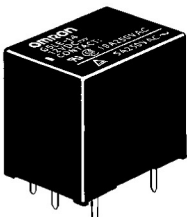
Unit: mm (inch)

G5LE-1(A)



*Average value

G5LE-1(A)4

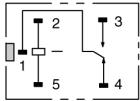


*Average value

Standard

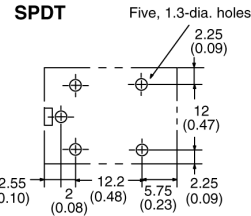
Terminal Arrangement/
Internal Connections
(Bottom View)

SPDT

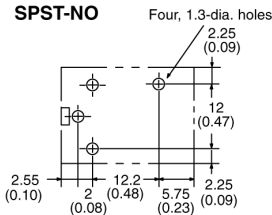
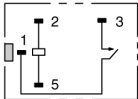


Mounting Holes
(Bottom View)

Tolerance: ±0.1 mm



SPST-NO



Note: Orientation marks are indicated as follows:

UL325, UL508, UL60950 (File No. E41643) / CSA C22.2 No. 14 (File No. LR34815)

Model	Coil Rating	Contact ratings for AgSnO2
G5LE	3 to 48 VDC	<p>N.O. Contacts</p> <p>10 A, 250 VAC, general use 8 A, 30 VDC, resistive load 1/6 hp, 120 VAC, 50,000 cycles 6 A, 277 VAC, general use, 100,000 cycles 10 A, 125 VAC, general use, 100,000 cycles 12 A, 120 VAC, resistive load, 30,000 cycles 6 FLA, 6 LRA, 120 VAC, 100,000 cycles, 85°C ambient 4 FLA, 4 LRA, 120 VAC, 100,000 cycles, 105°C ambient 125 VA, 120 VAC, pilot duty, 100,000 cycles 5 FLA, 30 LRA, 120 VAC TV - 3, 120 VAC 5 A, 125 VAC, general use, 30,000 cycles, 70°C ambient 1/2 hp, 125 VAC, 100,000 cycles 200W-T (1.6 A), 125 VAC, Tungsten, 100,000 cycles 125 VA, 125 VAC, pilot duty, 100,000 cycles, 105°C 13 A, 120 VAC, resistive, 100,000 cycles, 87°C 2.5 FLS, 15.0 LRA, 120 VAC, 100,000 cycles at 80°C with 75,000 cycles at 5 Sec. ON / 5 Sec. OFF and 25,000 cycles at 30 Sec. ON / 30 Sec. OFF</p> <p>N.C. Contacts</p> <p>10 A, 250 VAC, general use 8 A, 30 VDC, resistive load 1/8 hp, 120 VAC, 50,000 cycles 6 A, 277 VAC, general use, 50,000 cycles 10 A, 125 VAC, general use, 100,000 cycles 12 A, 120 VAC, resistive load, 30,000 cycles 6 FLA, 6 LRA, 120 VAC, 100,000 cycles, 85°C ambient 2 FLA, 4 LRA, 120 VAC, 100,000 cycles, 105°C ambient 125 VA, 120 VAC, pilot duty, 100,000 cycles 1/10 hp, 120 VAC, 50,000 cycles 5 A, 125 VAC, general use, 30,000 cycles, 70°C ambient 125 VA, 125 VAC, pilot duty, 100,000 cycles, 105°C</p>

UL325, UL508, UL60950 (File No. E41643) / CSA C22.2 No. 14 (File No. LR34815)

Model	Coil Rating	Contact ratings for AgSnIn
G5LE	3 to 48 VDC	<p>N.O. Contacts</p> <p>10 A, 250 VAC, general use 8 A, resistive, 30 VDC 1/3 hp, 120 VAC TV - 5, 120 VAC 1/2 hp, 125 VAC, 100,000 cycles 200W-T (1.6 A), 125 VAC, Tungsten, 100,000 cycles 125 VA, 125 VAC, pilot duty, 100,000 cycles, 105°C 13 A, 120 VAC, resistive, 100,000 cycles, 87°C</p> <p>N.C. Contacts</p> <p>10 A, 250 VAC, general use 8 A, resistive, 30 VDC 1/8 hp, 120 VAC 12 A, 120 VAC, resistive load, 30,000 cycles 125 VA, 125 VAC, pilot duty, 100,000 cycles, 105°C</p>

TÜV (VDE File No. R9151267)

Model	Coil Rating	Contact rating
G5LE	3, 5, 6, 9, 12, 24 VDC	1.2 A, 250 VAC ($\cos\phi = 0.4$) 2.5 A, 250 VAC (resistive load) 5 A, 30 VDC (resistive load)
		2.5 A, 250 VAC ($\cos\phi = 0.4$) 5 A, 250 VAC (resistive load) 8 A, 30 VDC (resistive load)

MEMO

A large grid of dashed lines for taking notes, consisting of 20 columns and 25 rows.

Terms and Conditions of Sale

1. Offer; Acceptance. These terms and conditions (these "Terms") are deemed part of all quotations, acknowledgments, invoices, purchase orders and other documents, whether electronic or in writing, relating to the sale of products or services (collectively, the "Products") by Omron Electronic Components LLC ("Seller"). Seller hereby objects to any terms or conditions proposed in Buyer's purchase order or other documents which are inconsistent with, or in addition to, these Terms.
2. Prices; Payment. All prices stated are current, subject to change without notice by Seller. Buyer agrees to pay the price in effect at time of shipment. Payments for Products received are due net 30 days unless otherwise stated in the invoice.
3. Discounts. Cash discounts, if any, will apply only on the net amount of invoices sent to Buyer after deducting transportation charges, taxes and duties, and will be allowed only if (i) the invoice is paid according to Seller's payment terms and (ii) Buyer has no past due amounts owing to Seller.
4. Currencies. If the prices quoted herein are in a currency other than U.S. dollars, Buyer shall make remittance to Seller at the then current exchange rate most favorable to Seller and which is available on the due date; provided that if remittance is not made when due, Buyer will convert the amount to U.S. dollars at the then current exchange rate most favorable to Seller available during the period between the due date and the date remittance is actually made.
5. Governmental Approvals. Buyer shall be responsible for, and shall bear all costs involved in, obtaining any government approvals required for the importation or sale of the Products.
6. Taxes. All taxes, duties and other governmental charges (other than general real property and income taxes), including any interest or penalties thereon, imposed directly or indirectly on Seller or required to be collected directly or indirectly by Seller for the manufacture, production, sale, delivery, importation, consumption or use of the Products sold hereunder (including customs duties and sales, excise, use, turnover and license taxes) shall be charged to and remitted by Buyer to Seller.
7. Financial. If the financial position of Buyer at any time becomes unsatisfactory to Seller, Seller reserves the right to stop shipments or require satisfactory security or payment in advance. If Buyer fails to make payment or otherwise comply with these Terms or any related agreement, Seller may (without liability and in addition to other remedies) cancel any unshipped portion of Products sold hereunder and stop any Products in transit until Buyer pays all amounts, including amounts payable hereunder, whether or not then due, which are owing to it by Buyer. Buyer shall in any event remain liable for all unpaid accounts.
8. Cancellation; Etc. Orders are not subject to rescheduling or cancellation unless Buyer indemnifies Seller fully against all costs or expenses arising in connection therewith.
9. Force Majeure. Seller shall not be liable for any delay or failure in delivery resulting from causes beyond its control, including earthquakes, fires, floods, strikes or other labor disputes, shortage of labor or materials, accidents to machinery, acts of sabotage, riots, delay in or lack of transportation or the requirements of any government authority.
10. Shipping; Delivery. Unless otherwise expressly agreed in writing by Seller:
 1. Shipments shall be by a carrier selected by Seller;
 2. Such carrier shall act as the agent of Buyer and delivery to such carrier shall constitute delivery to Buyer;
 3. All sales and shipments of Products shall be FOB shipping point (unless otherwise stated in writing by Seller), at which point title to and all risk of loss of the Products shall pass from Seller to Buyer, provided that Seller shall retain a security interest in the Products until the full purchase price is paid by Buyer;
 4. Delivery and shipping dates are estimates only.
 5. Seller will package Products as it deems proper for protection against normal handling and extra charges apply to special conditions.
11. Claims. Any claim by Buyer against Seller for shortage or damage to the Products occurring before delivery to the carrier must be presented in writing to Seller within 30 days of receipt of shipment and include the original transportation bill signed by the carrier noting that the carrier received the Products from Seller in the condition claimed.
12. Warranties. (a) Exclusive Warranty. Seller's exclusive warranty is that the Products will be free from defects in materials and workmanship for a period of twelve months from the date of sale by Seller (or such other period expressed in writing by Seller). Seller disclaims all other warranties, express or implied. (b) Limitations. SELLER MAKES NO WARRANTY OR REPRESENTATION, EXPRESS OR IMPLIED, ABOUT NON-INFRINGEMENT, MERCHANTABILITY OR FITNESS FOR A PARTICULAR PURPOSE OF THE PRODUCTS. BUYER ACKNOWLEDGES THAT IT ALONE HAS DETERMINED THAT THE PRODUCTS WILL SUITABLY MEET THE REQUIREMENTS OF THEIR INTENDED USE. Seller further disclaims all warranties and responsibility of any type for claims or expenses based on infringement by the Products or otherwise of any intellectual property right. (c) Buyer Remedy. Seller's sole obligation hereunder shall be to replace (in the form originally shipped with Buyer responsible for labor charges for removal or replacement thereof) the non-complying Product or, at Seller's election, to repay or credit Buyer an amount equal to the purchase price of the Product; provided that in no event shall Seller be responsible for warranty, repair, indemnity or any other claims or expenses regarding the Products unless Seller's analysis confirms that the Products were properly handled, stored, installed and maintained and not subject to contamination, abuse, misuse or inappropriate modification. Return of any Products by Buyer must be approved in writing by Seller before shipment. Seller shall not be liable for the suitability or unsuitability or the results from the use of Products in combination with any electrical or electronic components, circuits, system assemblies, or any other materials or substances or environments. Any advice, recommendations or information given orally or in writing are not to be construed as an amendment to the above warranty.
13. Limitation on Liability; Etc. SELLER SHALL NOT BE LIABLE FOR SPECIAL, INDIRECT, INCIDENTAL OR CONSEQUENTIAL DAMAGES, LOSS OF PROFITS OR PRODUCTION OR COMMERCIAL LOSS IN ANY WAY CONNECTED WITH THE PRODUCTS, WHETHER SUCH CLAIM IS BASED IN CONTRACT, WARRANTY, NEGLIGENCE OR STRICT LIABILITY. Further, in no event shall liability of Seller exceed the individual price of the Product on which liability is asserted.
14. Indemnities. Buyer shall indemnify and hold harmless Seller, its affiliates and its employees from and against all liabilities, losses, claims, costs and expenses (including attorney's fees and expenses) related to any claim, investigation, litigation or proceeding (whether or not Seller is a party) which arises or is alleged to arise from Buyer's acts or omissions under these Terms or in any way with respect to the Products. Without limiting the foregoing, Buyer (at its own expense) shall indemnify and hold harmless Seller and defend or settle any action brought against Seller to the extent that it is based on a claim that any Product made to Buyer specifications infringed intellectual property rights of another party.
15. Property; Confidentiality. The intellectual property embodied in the Products is the exclusive property of Seller and its affiliates and Buyer shall not attempt to duplicate it in any way without the written permission of Seller. Notwithstanding any charges to Buyer for engineering or tooling, all engineering and tooling supplied by Seller to Buyer relating to the Products are confidential and proprietary, and Buyer shall limit distribution thereof to its trusted employees and strictly prevent disclosure to any third party.
16. Miscellaneous. (a) Waiver. No failure or delay by Seller in exercising any right and no course of dealing between Buyer and Seller shall operate as a waiver of rights by Seller. (b) Assignment. Buyer may not assign its rights hereunder without Seller's written consent. (c) Law. These Terms are governed by Illinois law (without regard to conflict of law principles). Federal and state courts in Illinois shall have exclusive jurisdiction for any dispute hereunder. (d) Amendment. These Terms constitute the entire agreement between Buyer and Seller relating to the Products, and no provision may be changed or waived unless in writing signed by the parties. (e) Severability. If any provision hereof is rendered ineffective or invalid, such provision shall not invalidate any other provision. (f) Setoff. Buyer shall have no right to set off any amounts against the amount owing in respect of this invoice. (g) Definitions. As used herein, "including" means "including without limitation".

Certain Precautions on Specifications and Use

1. **Suitability for Use.** Seller shall not be responsible for conformity with any standards, codes or regulations which apply to the combination of the Product in Buyer's application or use of the Product. At Buyer's request, Seller will provide applicable third party certification documents identifying ratings and limitations of use which apply to the Product. This information by itself is not sufficient for a complete determination of the suitability of the Product in combination with the end product, machine, system, or other application or use. Buyer shall be solely responsible for determining appropriateness of the particular Product with respect to Buyer's application, product or system. Buyer shall take application responsibility in all cases but the following is a non-exhaustive list of applications for which particular attention must be given:
 - (i) Outdoor use, uses involving potential chemical contamination or electrical interference, or conditions or uses not described in this document.
 - (ii) Energy control systems, combustion systems, railroad systems, aviation systems, medical equipment, amusement machines, vehicles, safety equipment, and installations subject to separate industry or government regulations.
 - (iii) Use in consumer products or any use in significant quantities.
 - (iv) Systems, machines and equipment that could present a risk to life or property. Please know and observe all prohibitions of use applicable to this product.

NEVER USE THE PRODUCT FOR AN APPLICATION INVOLVING SERIOUS RISK TO LIFE OR PROPERTY WITHOUT ENSURING THAT THE SYSTEM AS A WHOLE HAS BEEN DESIGNED TO ADDRESS THE RISKS, AND THAT THE OMRON PRODUCT IS PROPERLY RATED AND INSTALLED FOR THE INTENDED USE WITHIN THE OVERALL EQUIPMENT OR SYSTEM.
2. **Programmable Products.** Seller shall not be responsible for the user's programming of a programmable product, or any consequence thereof.
3. **Performance Data.** Performance data given in this publication is provided as a guide for the user in determining suitability and does not constitute a warranty. It may represent the result of Seller's test conditions, and the users must correlate it to actual application requirements. Actual performance is subject to Seller's Warranty and Limitations of Liability.
4. **Change in Specifications.** Product specifications and accessories may be changed at any time based on improvements and other reasons. It is our practice to change part numbers when published ratings or features are changed or when significant construction changes are made. However, some specifications of the Product may be changed without any notice. When in doubt, special part numbers may be assigned to fix or establish key specifications for your application. Please consult with your Seller representative at any time to confirm actual specifications of purchased Product.
5. **Errors and Omissions.** The information in this publication has been carefully checked and is believed to be accurate; however, no responsibility is assumed for clerical, typographical or proofreading errors, or omissions.
6. **RoHS Compliance.** Where indicated, our products currently comply, to the best of our knowledge as of the date of this publication, with the requirements of the European Union's Directive on the Restriction of certain Hazardous Substances ("RoHS"), although the requirements of RoHS do not take effect until July 2006. These requirements may be subject to change. Please consult our website for current information.

Complete "Terms and Conditions of Sale" for product purchase and use are on Omron's website at www.components.omron.com – under the "About Us" tab, in the Legal Matters section.

ALL DIMENSIONS SHOWN ARE IN MILLIMETERS.

To convert millimeters into inches, multiply by 0.03937. To convert grams into ounces, multiply by 0.03527.

OMRON®

**OMRON ELECTRONIC
COMPONENTS LLC**

55 E. Commerce Drive, Suite B
Schaumburg, IL 60173

847-882-2288

OMRON CANADA, INC.

885 Milner Avenue
Toronto, Ontario M1B 5V8

416-286-6465

OMRON ON-LINE

Global - <http://www.omron.com>

USA - <http://www.components.omron.com>

Canada - <http://www.omron.ca>